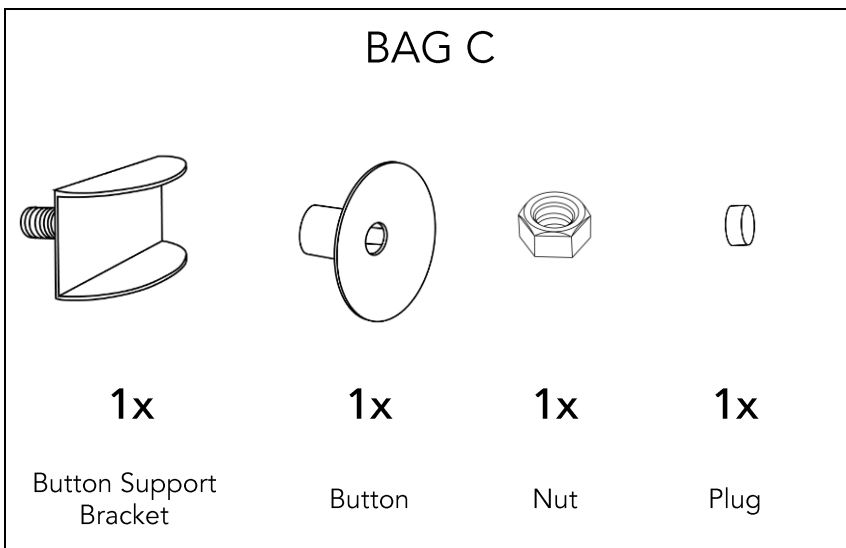
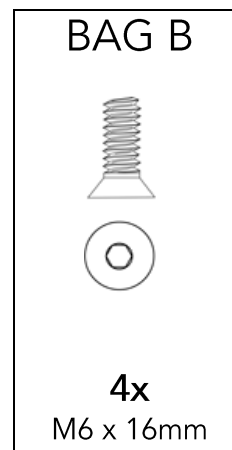
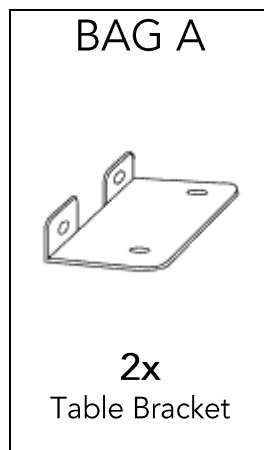
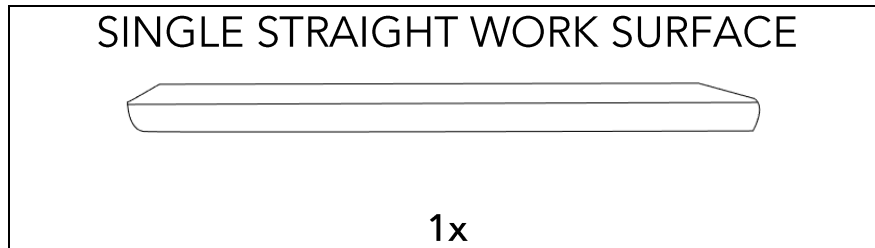


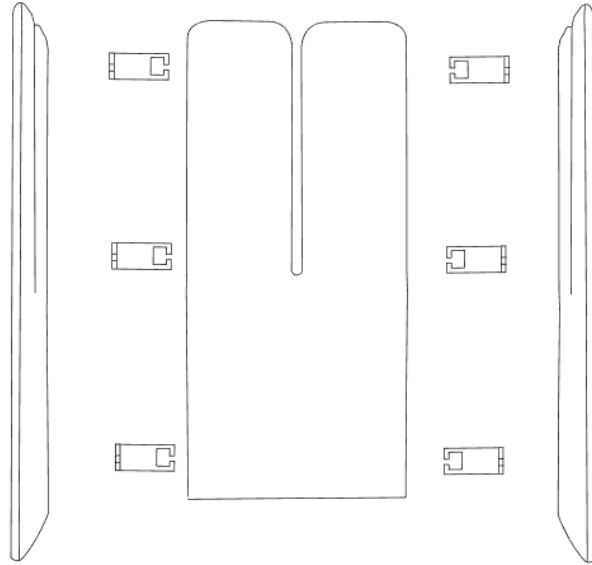
ReGOLA

9121-Single Straight Work Surface Assembly Instructions

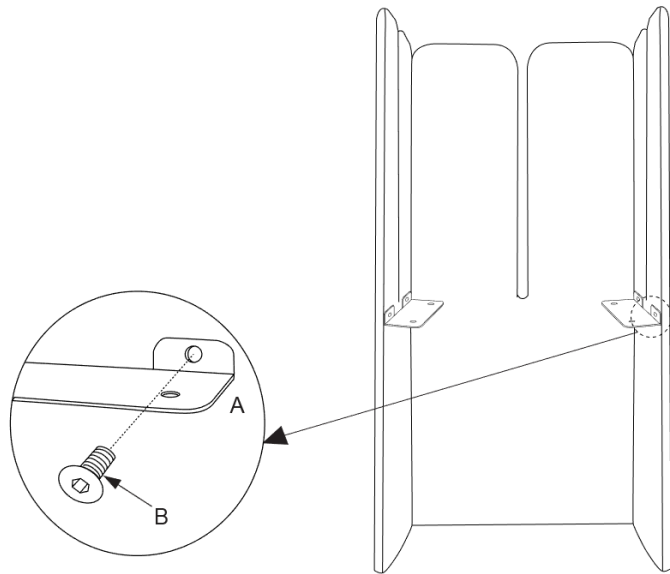


1. Connect three straight panels using 90° metal brackets (sold separately) as shown.

*see General Panel Assembly Instructions for more information.

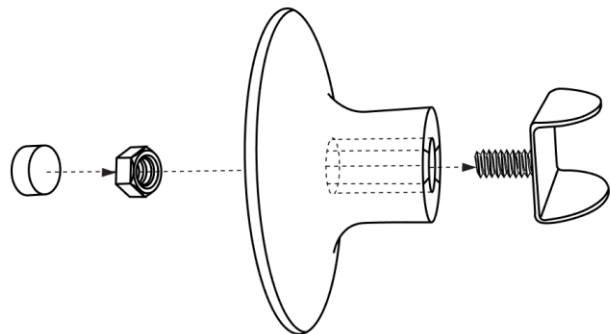


2. Connect table brackets (BAG A) to left and right straight panels using four 16mm screws (BAG B) with allen wrench (included).

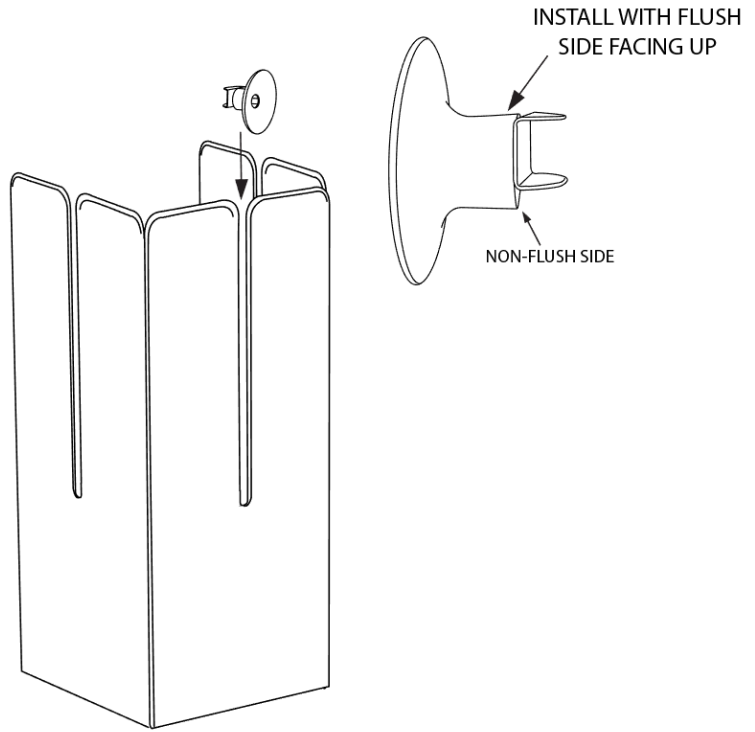


NOTE: Some buttons may come fully assembled.

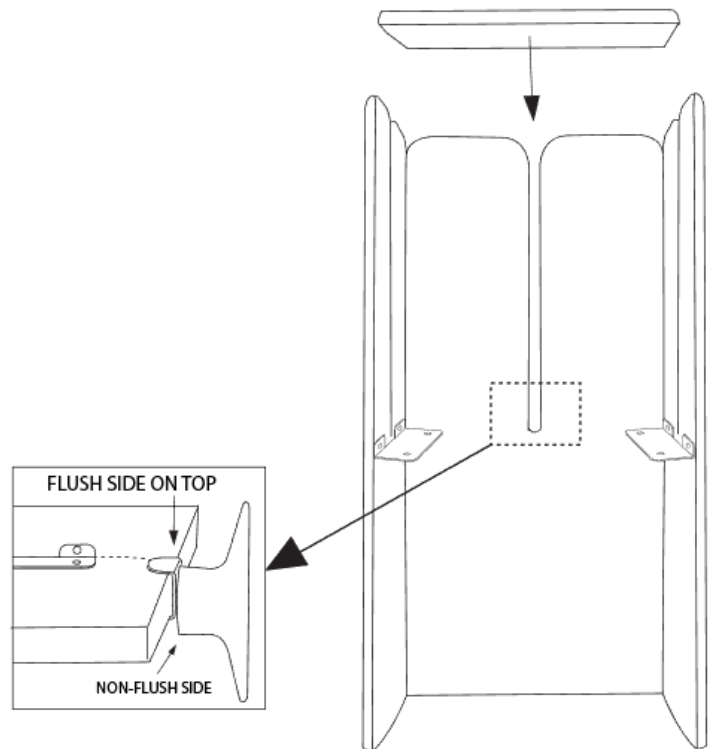
3. Assemble the Button as shown at right.



4. Slide Button (with Support Bracket attached) into Panel slot with FLUSH SIDE FACING UP.



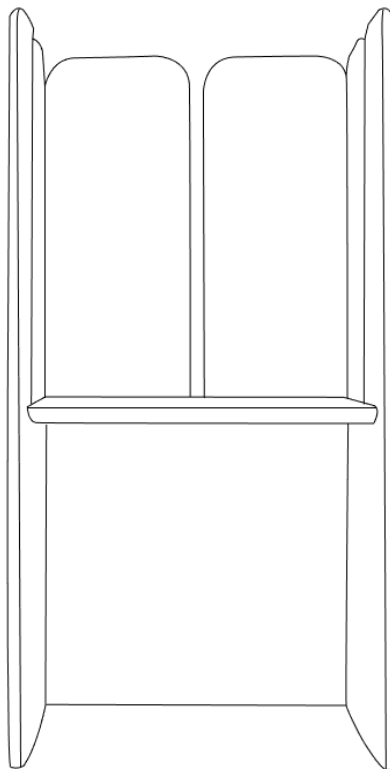
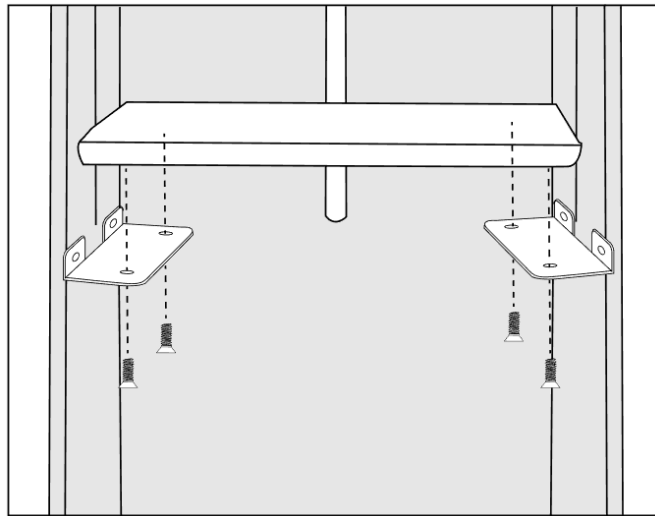
5. Slide the Work Surface down along the panels allowing it to rest on top of the Table Brackets and inside the Button Support Bracket groove.



6. Using the remaining 16mm screws (BAG B) start all 4 screws **BEFORE** tightening any of them fully.

7. Tighten all screws fully to connect Work Surface to Table Brackets.

CAUTION: Using screws longer than 16mm **WILL** damage the Work Surface!



Single Work Surface - 9121