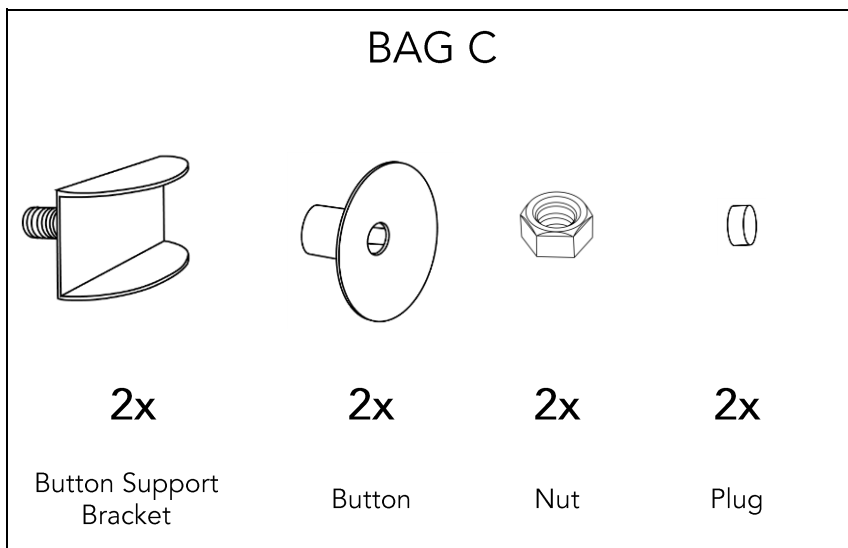
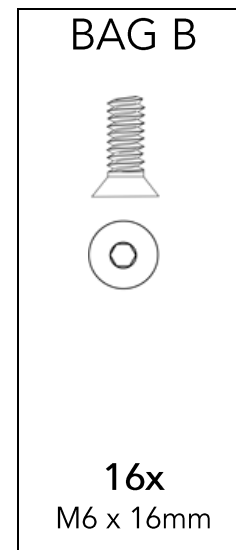
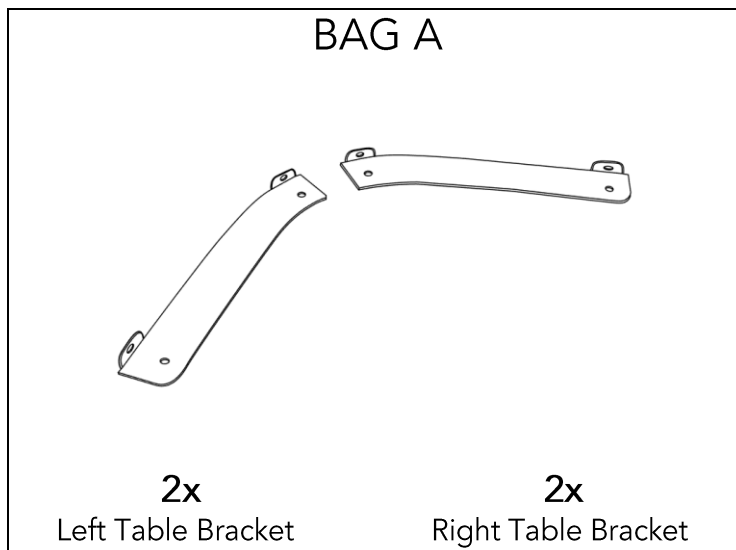
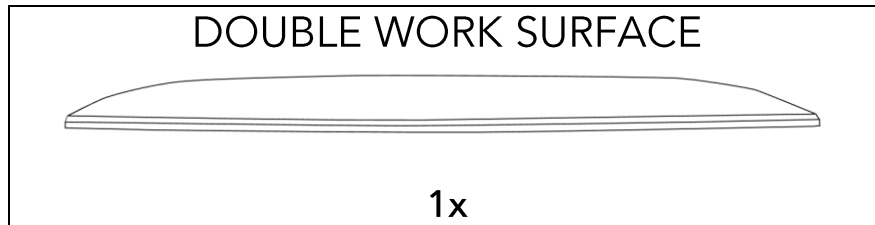


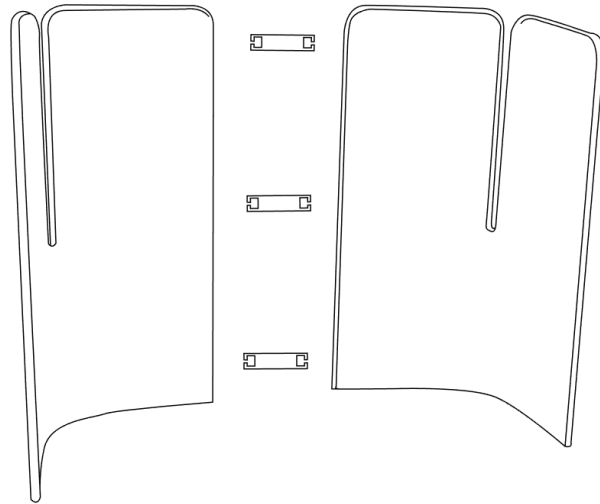
ReGOLA

9510-Double Work Desk Assembly Instructions

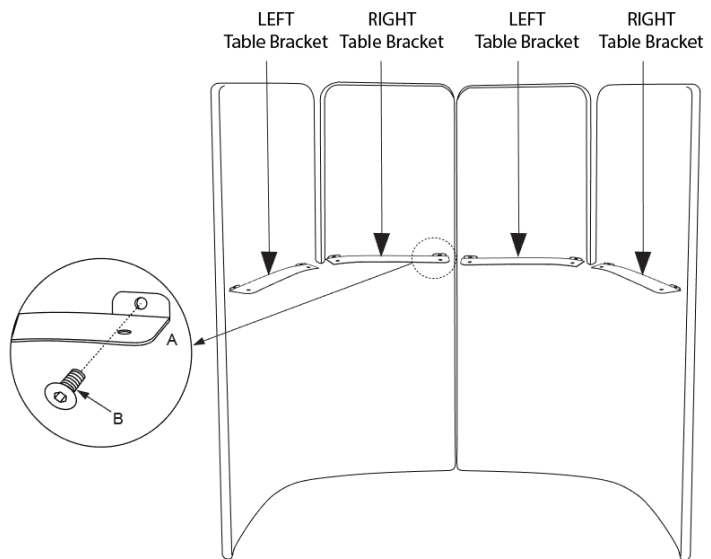


1. Connect two curved panels using metal brackets (sold separately) as shown.

*see General Panel Assembly Instructions for more information.

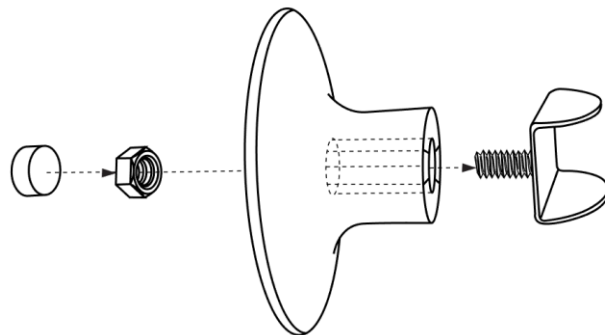


2. Connect table brackets (BAG A) to curved panels using eight 16mm screws (BAG B) with allen wrench (included).

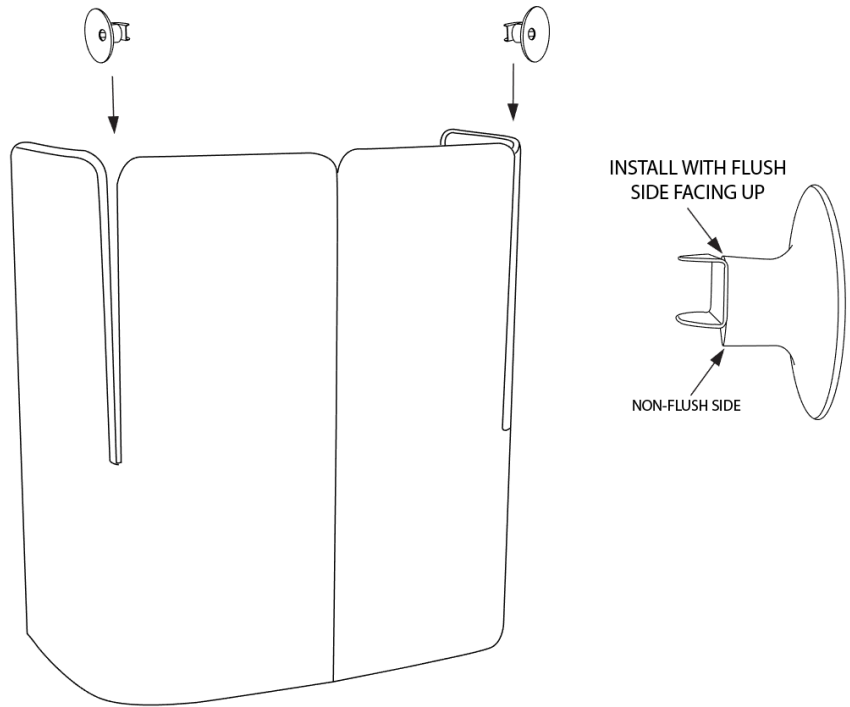


NOTE: Some buttons may come fully assembled.

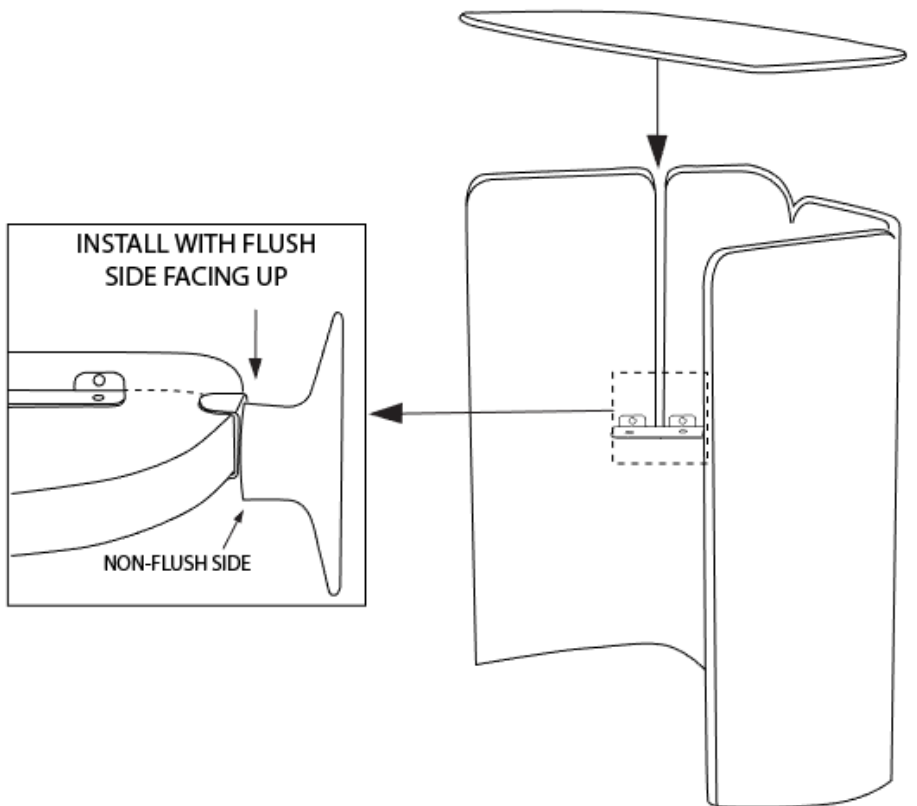
3. Assemble the Button as shown at right.



4. Slide Buttons with Support Bracket attached into Panel slots with FLUSH SIDE FACING UP.

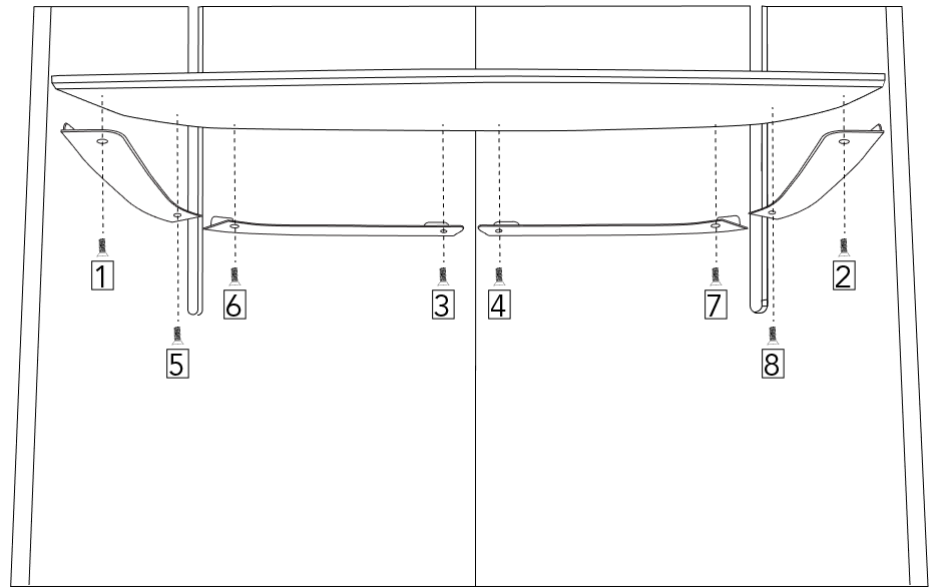


5. Slide the Double Work Surface down along the Curved Panels allowing it to rest on top of the Table Brackets and inside both Button Support Bracket grooves.



6. Using the 16mm screws (BAG C) start all 8 screws **BEFORE** tightening any of them fully.
7. Tighten the screws fully in the sequence 1-8 shown at right.

CAUTION: Using screws longer than 16mm **WILL** damage the Work Surface!



Legola Double Work Surface-9510