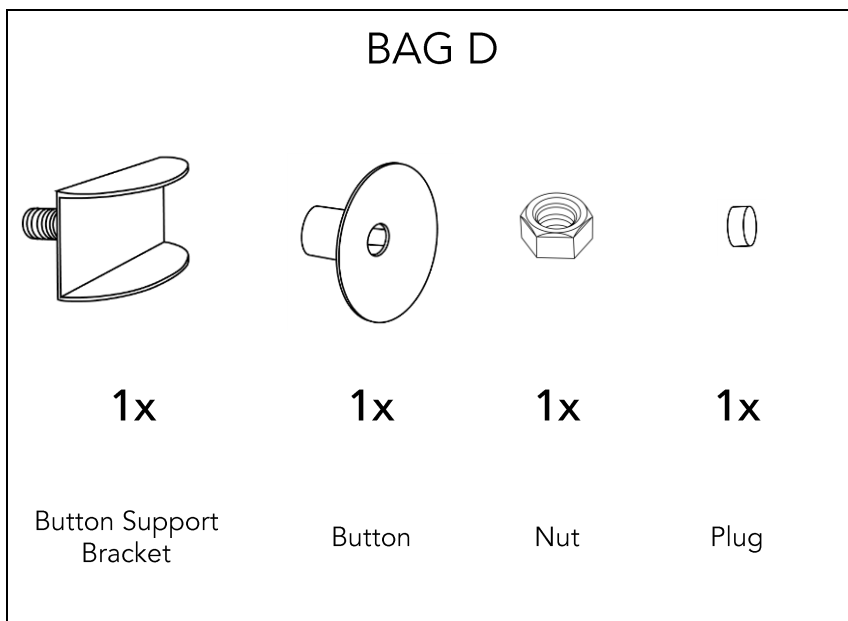
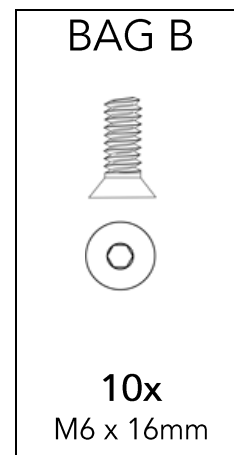
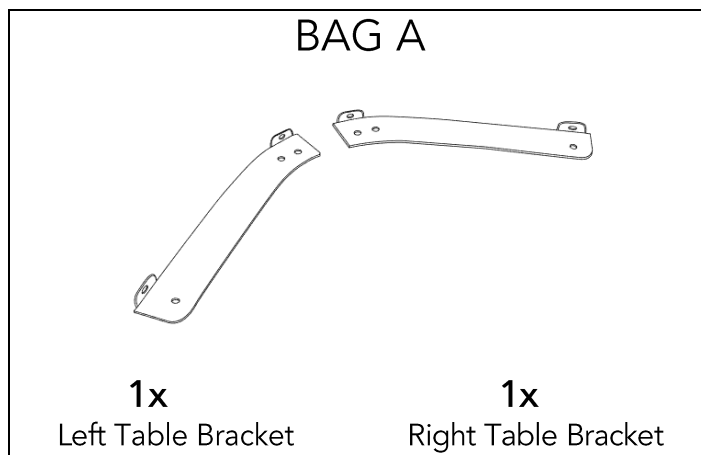
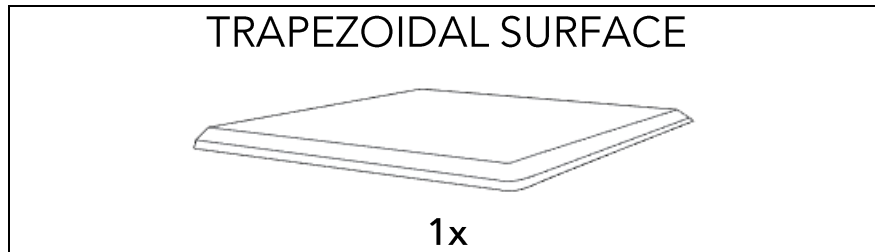


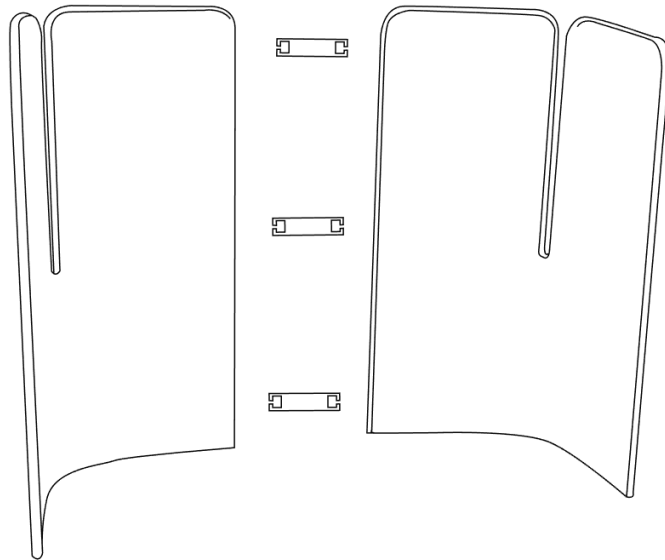
# ReGOLA

## 9512- Trapezoidal Work Surface Assembly Instructions

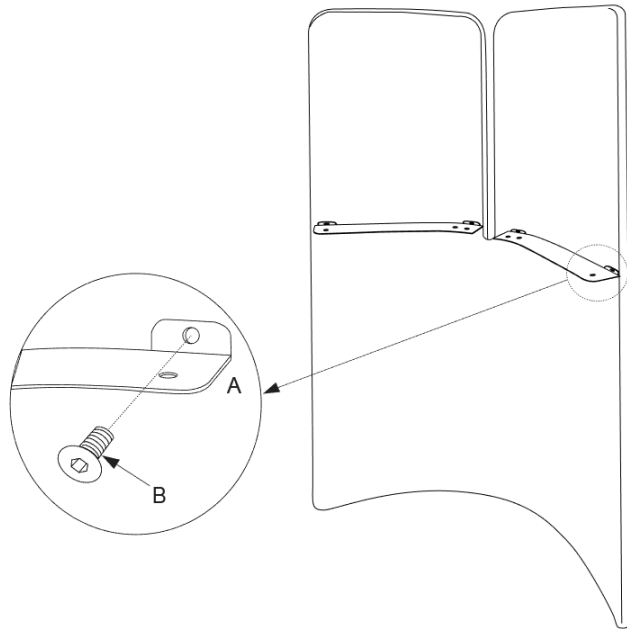


1. Connect all panels using metal brackets (sold separately) as shown.

\*see General Panel Assembly Instructions for more information.

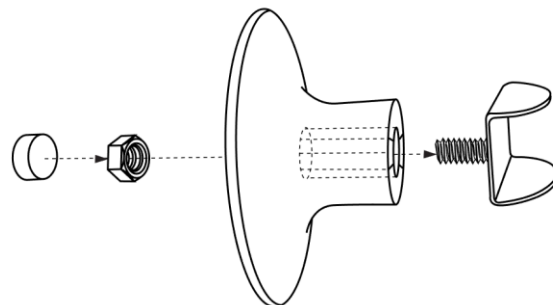


2. Connect Table Brackets (BAG A) to curved panels using the 16mm screws (BAG B) as shown with allen wrench (included).

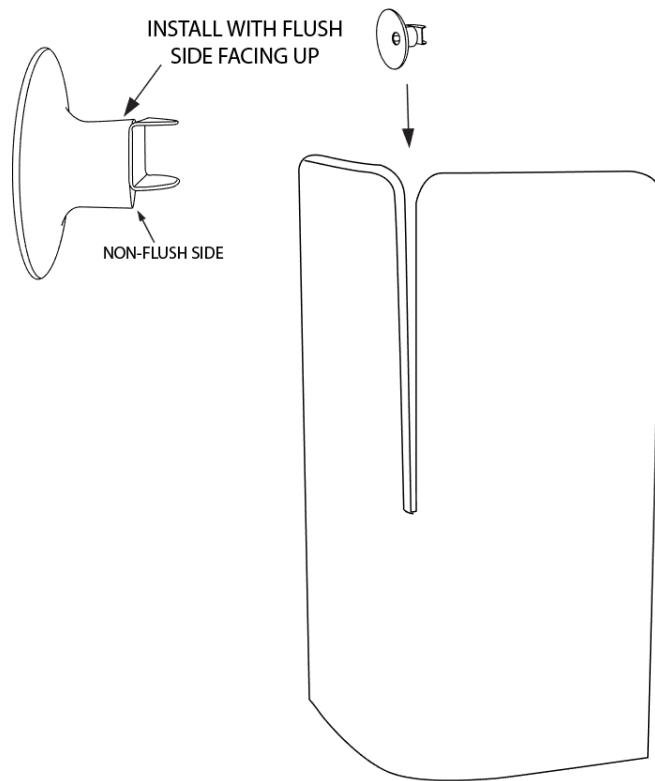


NOTE: Some buttons may come fully assembled.

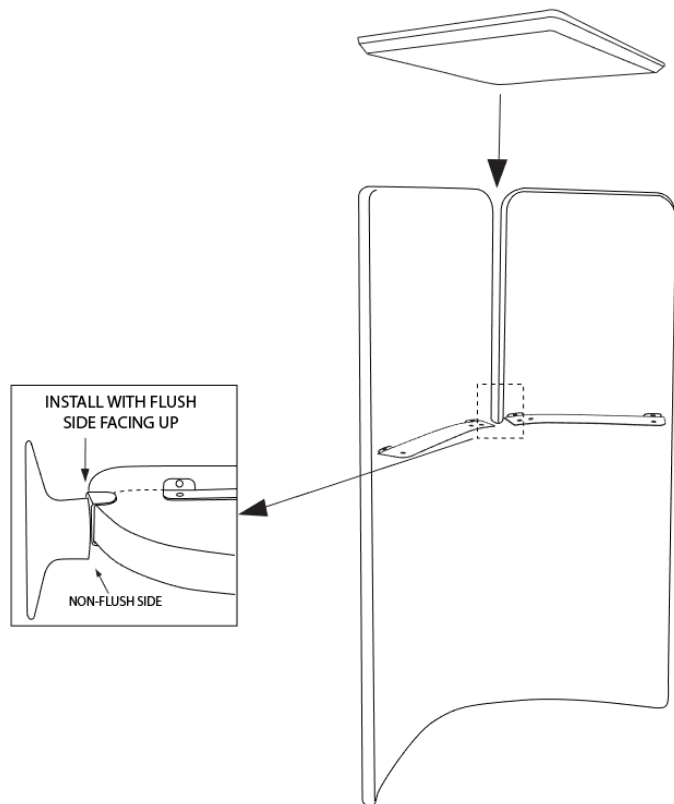
3. Assemble the Button as shown.



4. Slide Button with Support Bracket attached into Panel slots with FLUSH SIDE FACING UP.

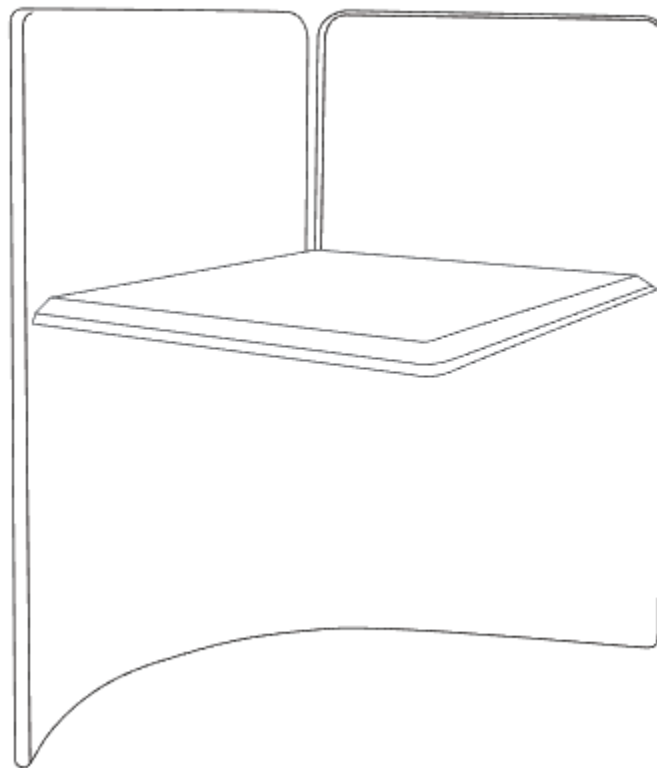
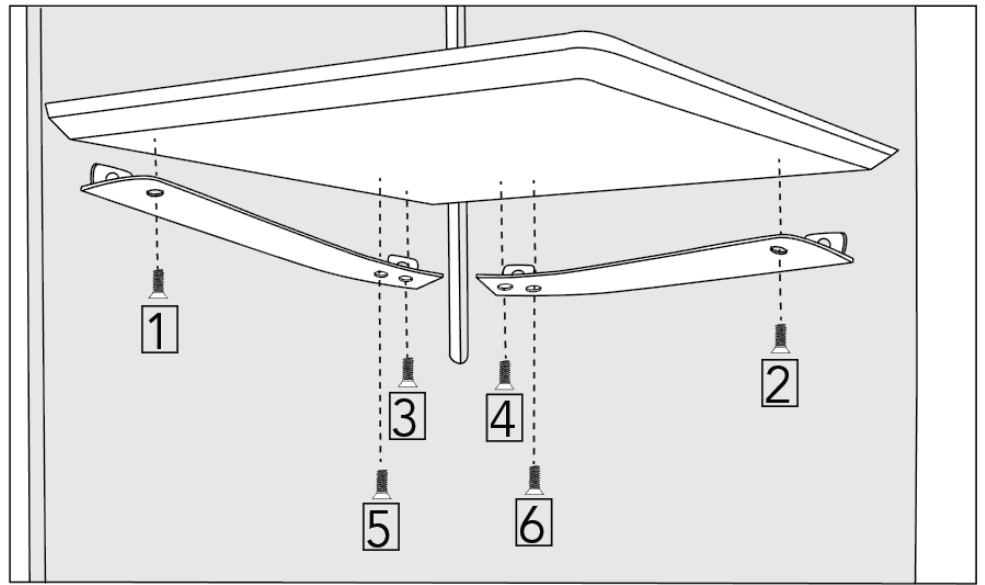


5. Slide the Trapezoidal Shelf down along the curved panel allowing it to rest on top of the Table Brackets and inside the Button Support Bracket groove.



6. Connect the Work Surface to the Brackets using the remaining 16mm screws (BAG B). Start all 6 screws **BEFORE** tightening any of them fully.
7. Tighten the screws fully in the sequence 1-6 shown at right.

**CAUTION:** Using screws longer than 16mm **WILL** damage the Work Surface!



Trapezoidal Shelf - 9512  
(shown with 40" Curved Panel)