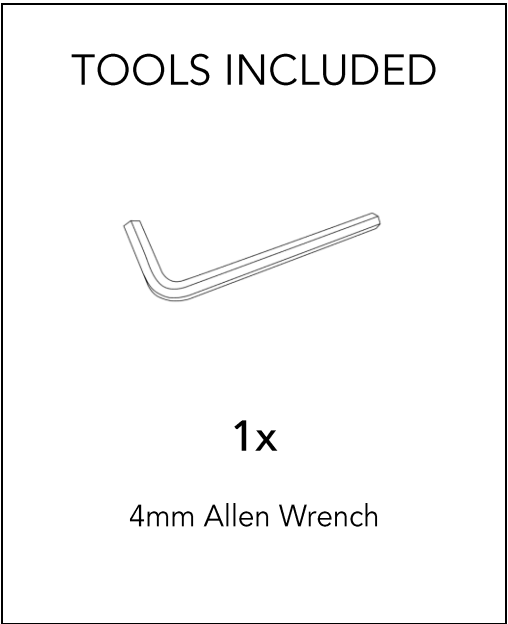
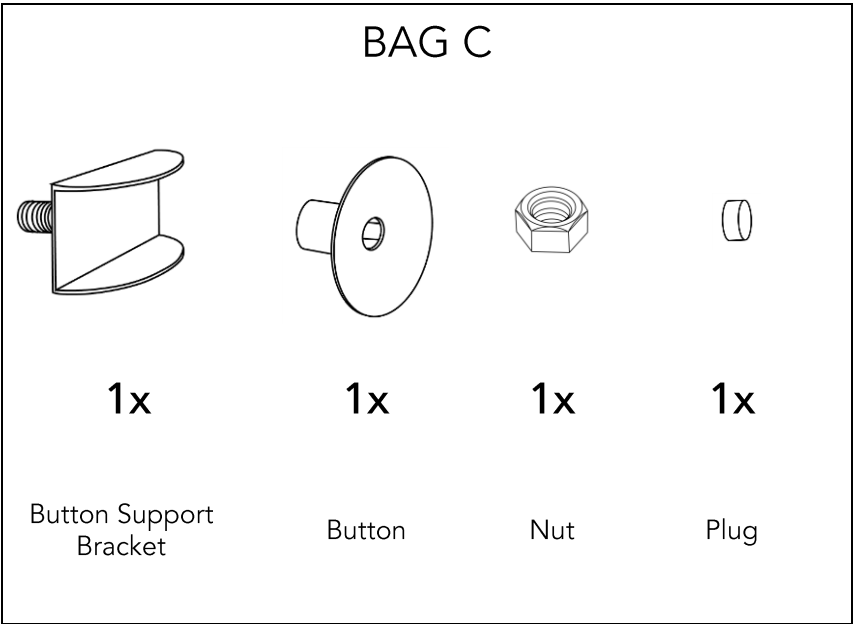
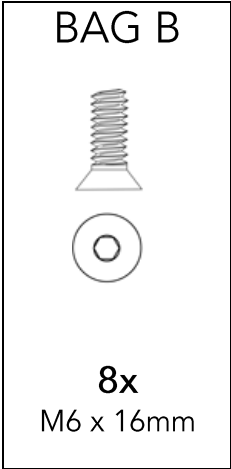
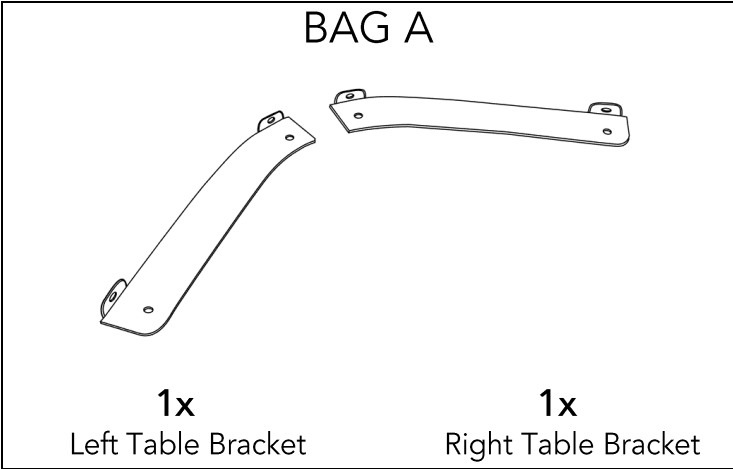
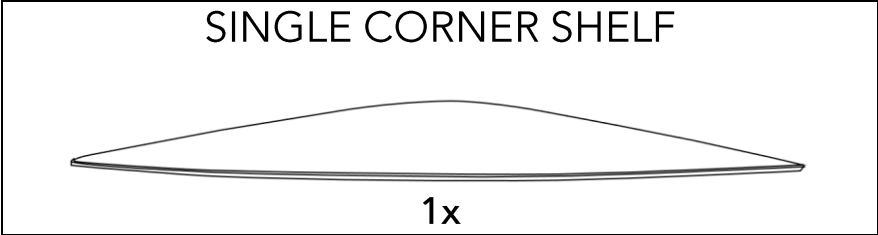


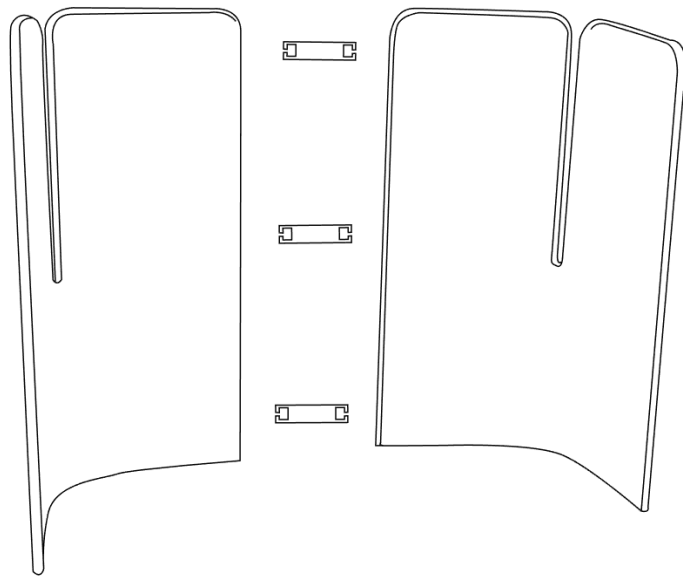
# ReGOLA

## 9525-Single Corner Shelf Assembly Instructions

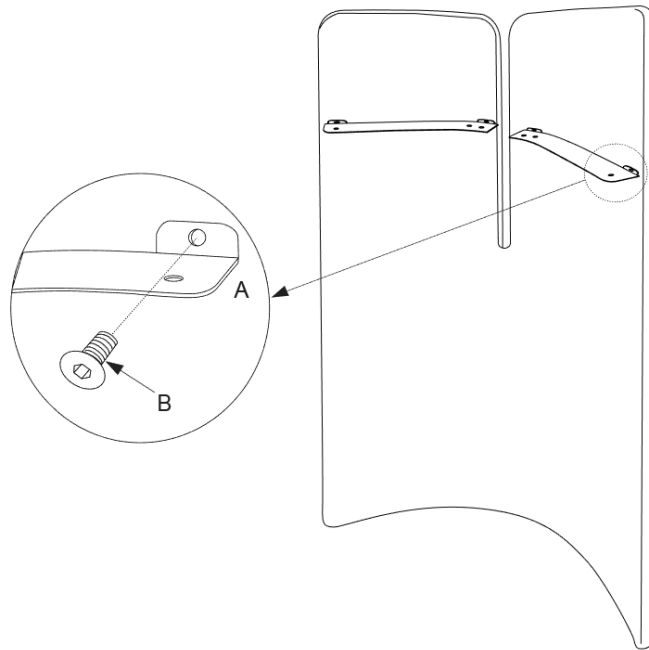


1. Connect all panels using metal brackets (sold separately) as shown.

\*see General Panel Assembly Instructions for more information.

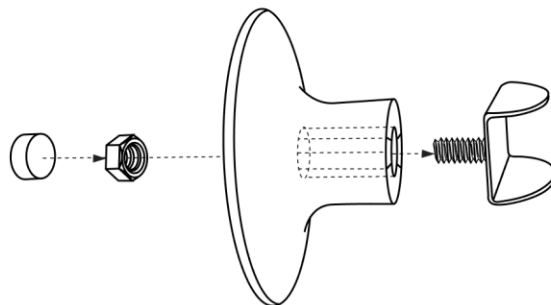


2. Connect Table Brackets (BAG A) to curved panels using four 16mm screws (BAG B) with allen wrench (included).

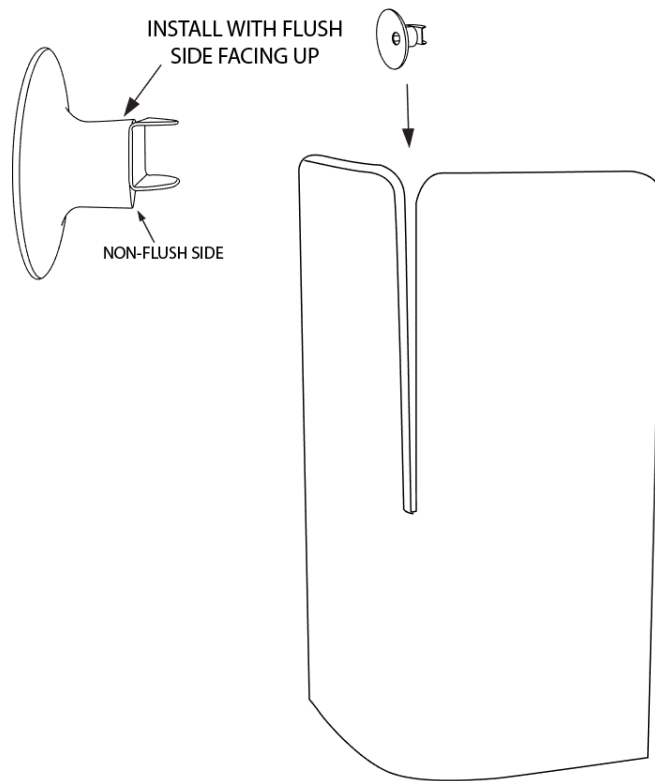


NOTE: Some buttons may come fully assembled.

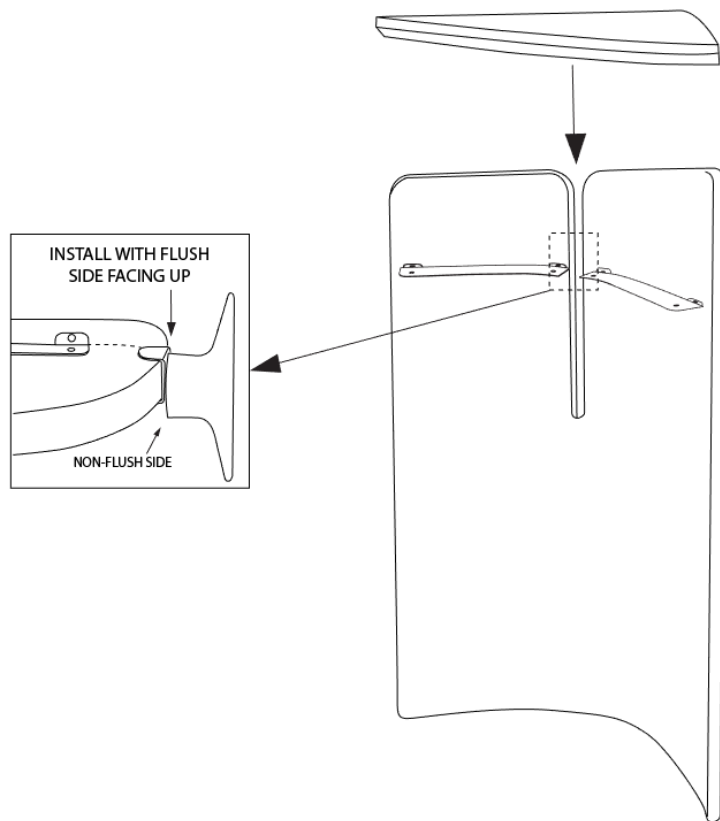
3. Assemble the Button as shown at right.



4. Slide Button with Support Bracket attached into Panel slot with FLUSH SIDE FACING UP.

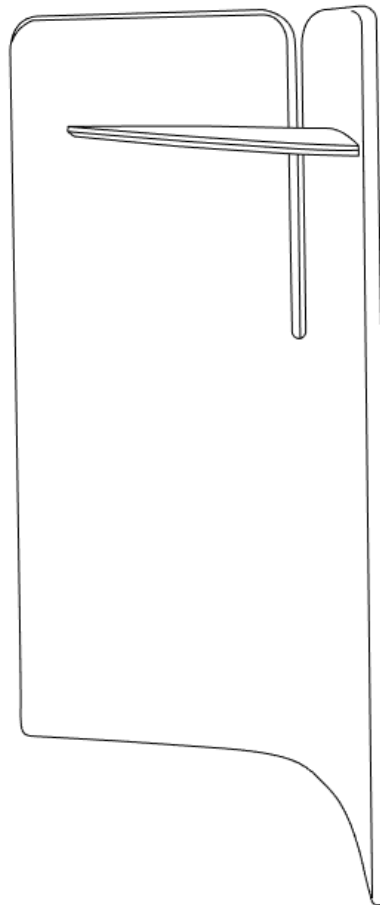
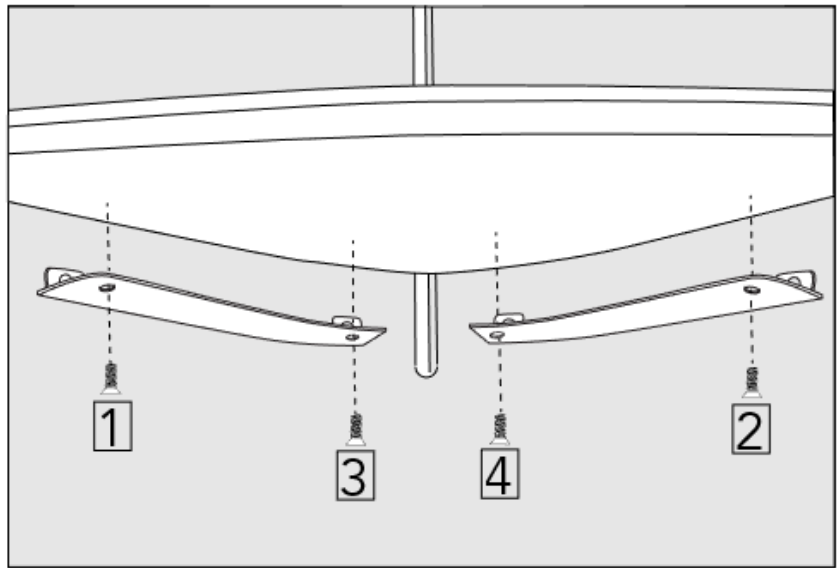


5. Slide the Single Shelf down along the curved panel allowing it to rest on top of the Table Brackets and inside the Button Support Bracket groove.



- Using the remaining 16mm screws (BAG B) start all 4 screws **BEFORE** tightening any of them fully.
- Tighten the screws fully in the sequence 1-4 shown at right.

**CAUTION:** Using screws longer than 16mm WILL damage the Work Surface!



Single Corner Shelf-9525