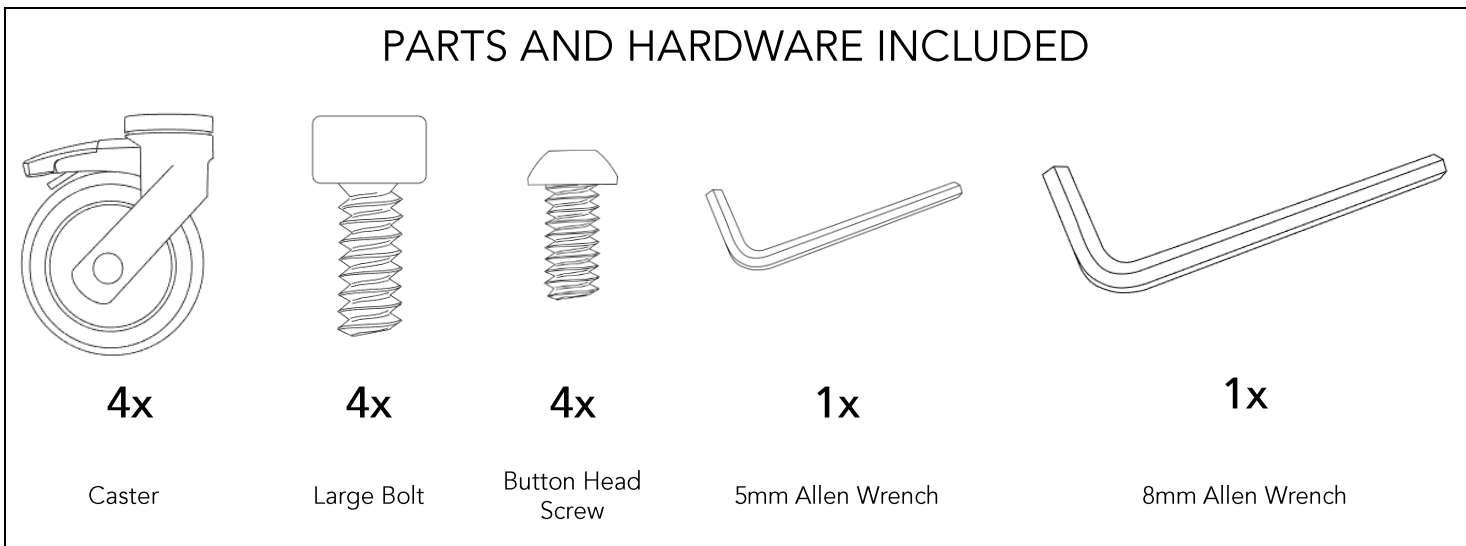
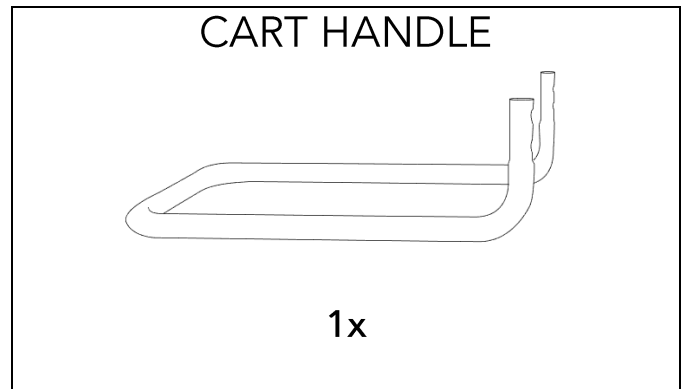
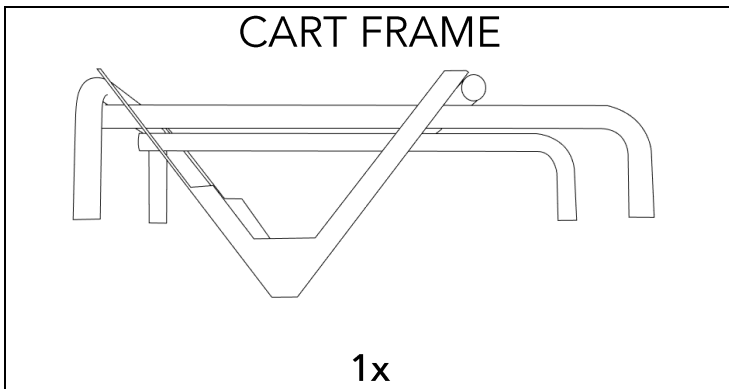
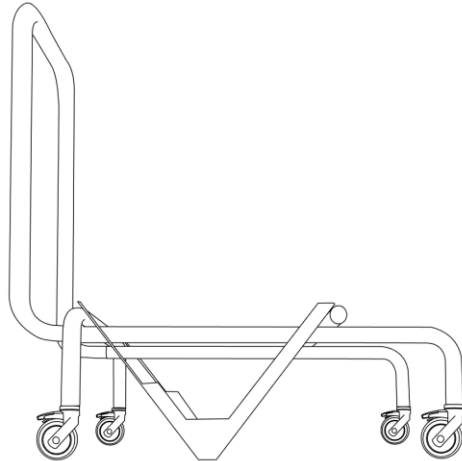
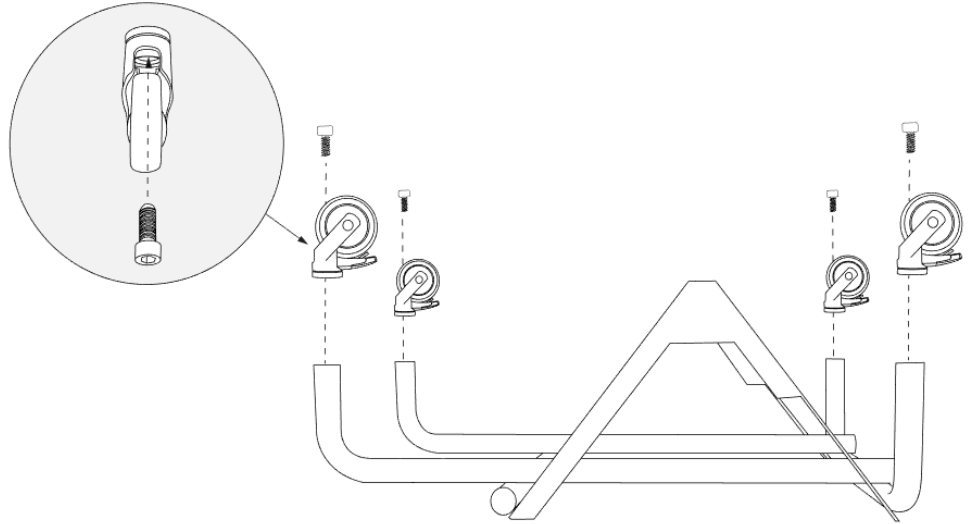


SPLASH

High Density Transport Cart Assembly Instructions



1. Attach casters to cart frame using Large Bolts and 8mm Allen Wrench.



2. Attach handle to cart frame using Button Head Screws and 5mm Allen Wrench.

