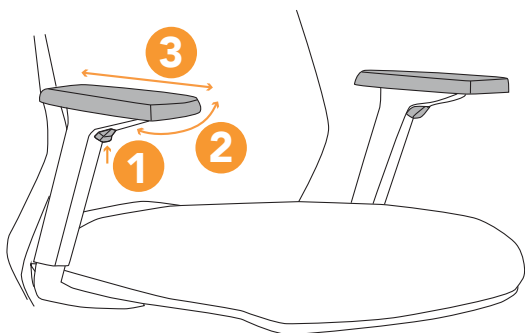




great things happen in a chair



USER GUIDE: 33A/35A 4u forward tilt height adjustable arm with rotating and front/back adjustable cap

1 arm height adjustment - While pressing the button, use your hand to raise and lower the arm height

2 arm cap rotation - Grasp and lift arm cap to turn left or right, rotating a max of 15° each way.

3 arm cap slide - Grasp and slide arm cap forward or backward, sliding forward a max of 2.5".



©2019