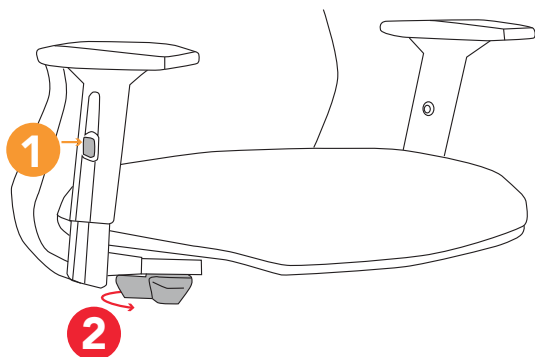




great things happen in a chair



USER GUIDE: **38A** height adjustable arm

1 arm height adjustment - While pressing the button, use your hand to raise and lower the arm height

2 optional arm width adjustment (19AB) - Push the switch located beneath the arm forward. Use your hand to grasp the arm and adjust out to desired width away from seat. Each arm adjusts separately. When finished making adjustments, push the switch back to its original position.



Contract Holder

contract #: GS-28F-005CA

contractor: VIA INC