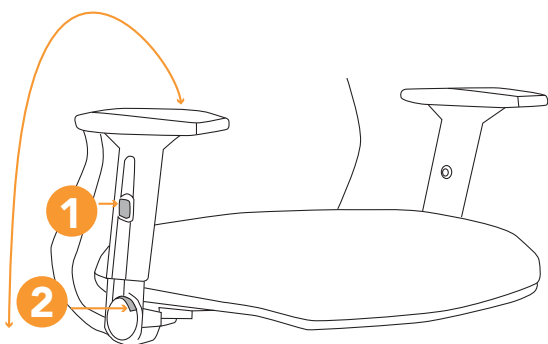




great things happen in a chair



USER GUIDE: **39A** height adjustable roll back arm

1 arm height adjustment - While pressing the button, use your hand to raise and lower the arm height

2 roll back arm feature - while pressing and holding the small button toward the top front on the silver circle, grasp the arm and roll back to horizontal position. repeat to lift back to upright position.



Contract Holder

contract #: GS-28F-005CA

contractor: VIA INC

VIA SEATING.COM | 800.433.6614

© via seating 2019