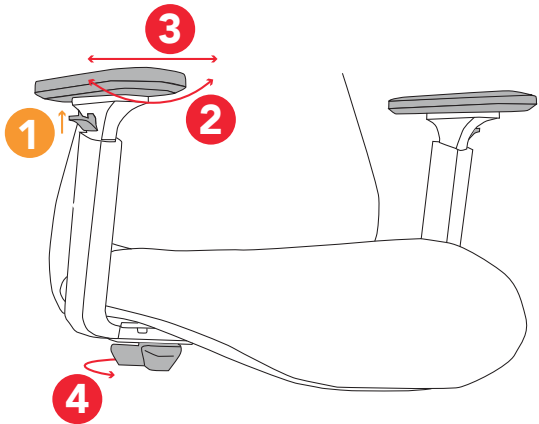


great things happen in a chair



USER GUIDE: 51A/52A/53A
adjustable height arm with
4-ways adjustable cap option

1 arm height adjustment - While lifting up on the small switch, use your hand grasping the arm cap to raise and lower the arm height.

2 optional arm cap rotation (18R/20R) - Grasp arm cap and turn left or right to rotate a max of 15° each way.

3 optional arm cap slide (18R/20R) - Grasp arm cap and slide forward or back (1.5").

4 optional arm width adjustment (19AB) - Push the switch located beneath the arm forward. Use your hand to grasp the arm and adjust out to desired width away from seat. Each arm adjusts separately. When finished making adjustments, push the switch back to its original position.



Contract Holder

contract #: GS-28F-005CA

contractor: VIA INC