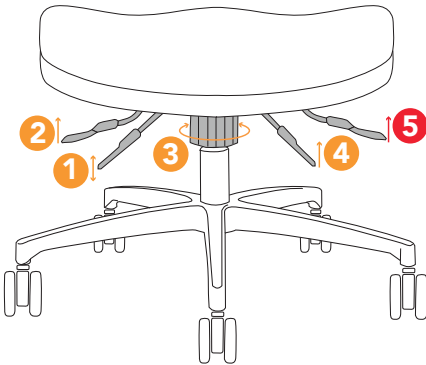




great things happen in a chair



## USER GUIDE: **5C-12SS** advanced ergo control with seat slider

**1 seat height adjustment** - Adjust the seat height by lifting the paddle (located just below front, right corner of the seat cushion. Proper seat height is realized when the top of your legs are somewhat parallel to the floor.

**2 back lock adjustment (5 position)** - Pull lever upward and shift your weight forward or back to desired angle. Release lever to lock. To free float the back, pull lever upward until locked.

**3 back/recline tension adjustment** - Rotate knob right to increase tilt tension. Rotate knob left to decrease tilt tension.

**4 seat angle** - Adjusts from six degrees forward to 3 degrees back. Pull lever upward to lock. Shift your weight forward or backward to desired weight angle. Release lever to lock. To free float the seat, pull lever upward until locked.

**5 optional seat slider (-12SS)** - Pull up on paddle to move seat forward or back (range 2").



Contract Holder

contract #: GS-28F-005CA

contractor: VIA INC