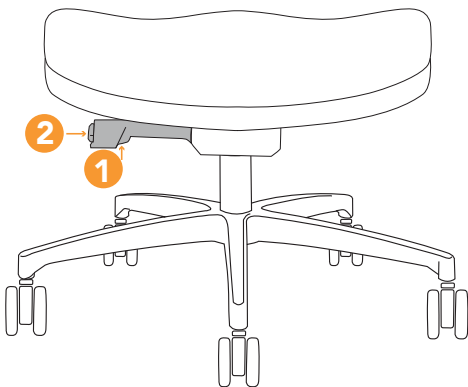




great things happen in a chair



USER GUIDE: **66C** basic body balance control

1 seat height adjustment - Adjust the seat height by lifting the paddle (located just below front, right corner of the seat cushion). Proper seat height is realized when the top of your legs are somewhat parallel to the floor.

2 back tilt lock adjustment (5 position) - Push the button. Use your back to lean against the back of the chair, pushing with your back to your desired angle. Feel/hear a click as you reach different angle lock positions. Adjusts to 5 different back angles.



©2019